



Screw compressor package SP XL-DDIC

Direct Driven Inter Cooled Suction and Pressure system.

- For demanding applications requiring Power, Versatility (Vacuum and Pressure), and Temperature control.
- Unique system working either on pressure or on suction duty without any extra component.
- One package ready for use designed for Typhon II-SP and B 1500 SP compressors.

TYPHON II SP

500 - 1130 m³/h

TYPHON II 20R SP XL-DDIC



Suction Pressure XL Direct Driven Inter Cooled system

Length : 793 mm - Height : 724 mm
Width : 781 mm

B 1500 SP

625 - 1550 m³/h

B 1500 SP XL-DDIC



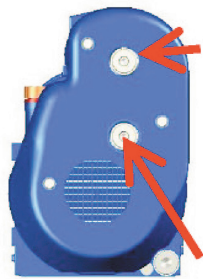
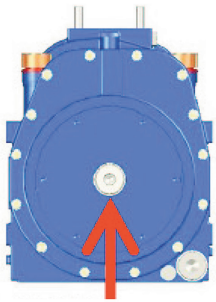
Suction Pressure XL Direct Driven Inter Cooled system

Length : 793 mm - Height : 724 mm
Width : 781 mm



Screw compressor package SP XL-DDIC

Compressor type			TYPHON II		B 1500 *	
Version			20R 30R	13R/15L 19R/22L	20R 30R	19R/22L
Flow		m ³ /h	500 - 1130		625 - 1550	
Weight	-	kg	288	318	304	334
Height	H	mm	max. 710			
Length	L	mm	793			
Width	W	mm	min. 731 - max. 781			
Compressor Length	C	mm	664	799	743	880



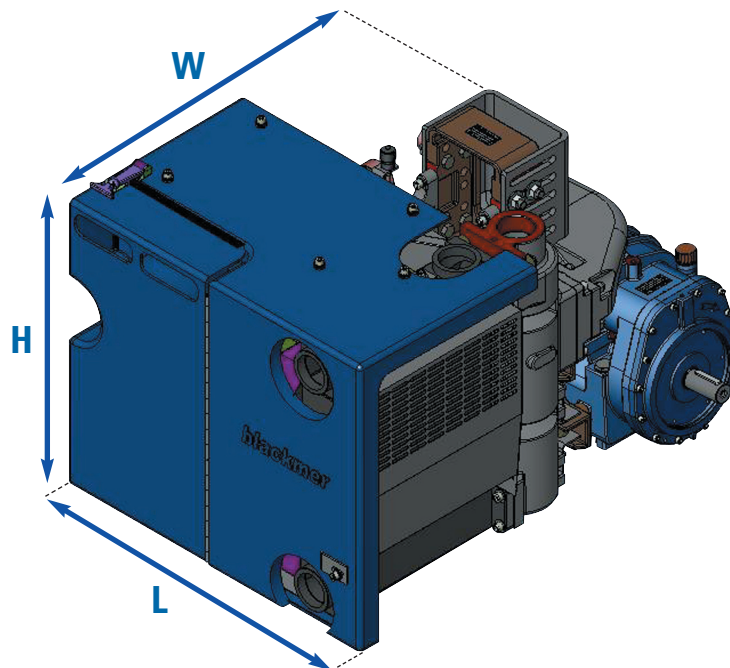
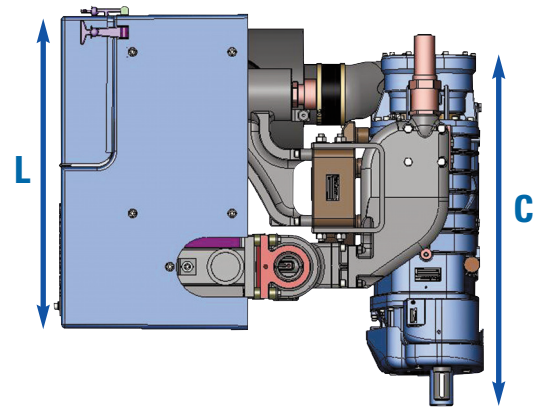
19R/CW 1560 - 1950 rpm
1170 - 1950 rpm *

22L/CCW 1800 - 2250 rpm
1320 - 2250 rpm *

20R/CW 1600 - 2000 rpm
1200 - 2000 rpm *

30R/CW 2400 - 3000 rpm
1800 - 3000 rpm *

Speed for 2,5 bar max.



Mouvex reserves the right to modify the information and illustrations contained in this document without prior notice. This is a non-contractual document.
Printed in FRANCE by Filigrane
© 2009 Mouvex

ZI la Plaine des Isles
rue des Caillottes
89000 AUXERRE - FRANCE
T + 33.3.86.49.86.30
F + 33.3.86.46.42.10
contact@mouvex.com



Distributed by :